

## Food slicers 350 mm Gravity Slicer, gear transmission

ITEM # \_\_\_\_\_

MODEL # \_\_\_\_\_

NAME # \_\_\_\_\_

SIS # \_\_\_\_\_

AIA # \_\_\_\_\_


**601135 (MSG35G)**

Gravity Slicer 350mm, gear transmission (400V; 3; 50)

### Short Form Specification

**Item No.** \_\_\_\_\_

Heavy duty slicer for supermarkets and delis  
 Base and main components in high polished satin finished anodized aluminium for long lasting, hygiene and ease of cleaning. The blade is in chrome force steel with blade guard ring for added protection. Model equipped with cut thickness adjusting knob, top mounted sharpener, cover blade and product deflector - easily removable for cleaning. Ventilated blade drive motor. Gear drive system for continuous daily use. Removable carriage system permanently lubricated with automatic clutch. IP42 water protection.  
 Supplied with blade removal tool.

### Main Features

- Manual gravity slicer.
- Slice thickness from 0 to 24 mm.
- Cut thickness-adjusting knob (millimeter adjustment).
- Gear driven transmission permanently oil-lubricated.
- Ventilated blade drive motor designed for continuous use, with gear drive system for heavy and continuous daily operations.
- Removable carriage system permanently lubricated with automatic clutch.
- Top-mounted stone blade sharpener and cover blade easy to remove.
- Supplied with blade removal tool.
- Highest degree of safety in functioning, cleaning and maintenance.
- Cutting capacity for 350 mm model:
  - square: 210x210 mm
  - rectangular: 300x210 mm
  - round: 240 mm

### Construction

- Compact design.
- Made in high polished satin finished anodized aluminium. This procedure guarantees high hygienic standards of the parts interested by the cut and resistance to acids, salts and oxidation processes.
- Plexiglass safety hand guard as standard.
- IP42 water protection.
- IP67 complete waterproof.
- The blade is made of chrome forged steel with blade guard ring for added protection.

**APPROVAL:** \_\_\_\_\_

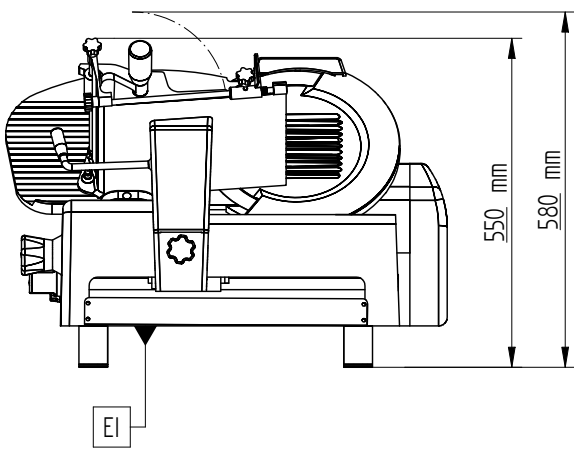
**Electric**

Supply voltage:	400 V/3N ph/50 Hz
601135 (MSG35G)	
Total Watts:	0.5 kW

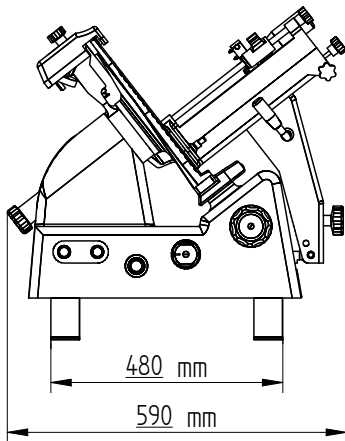
**Key Information:**

External dimensions, Width:	760 mm
External dimensions, Depth:	530 mm
External dimensions, Height:	550 mm
Net weight (kg):	40

Front



Side



EI = Electrical inlet (power)

Top

